

OF NAPOLEON
ERING DEPARTMENT
N PERMIT
(Please Print or Type)

Do Not Write Within Boxed Area.
For Engineering Office Use Only.

Permit No.	672
Issued	10/21/96
By	Brent N. Dawson
Estimated Cost	
Base Fee	25.00
Add	14.20
Total Fee	39.20

Dr. Napoleon, OH 43545

Address 7844 W. Central Ave.

Tel. 841-6656

BILLBOARD

AWNING

MARQUEE

Post

Square Feet 192

5 1996

Signature of Applicant

Sketch and Description of Proposed Installation
Pink - Engineering

Gold - County Auditor

Accompanied with
Clerk-Treasurer

City of Napoleon
Engineering Department

Office Use Only	
Permit No:	<u>672</u>
App. Date:	<u>10-21-96</u>
Est. Cost:	_____
Base Fee:	<u>25.00</u>
Plus Fee:	<u>14.20</u>
Total Fee:	<u>39.20</u>

Application for Sign Permit

Owner Name: CULLIGAN

Owner Address: 550 INDEPENDANCE Dr.

Contractor Name: HARMON SIGN CO.

Contractor Address: 7844 W. CENTRAL PH: 419 841 - 6656

Location of Project: SAME.

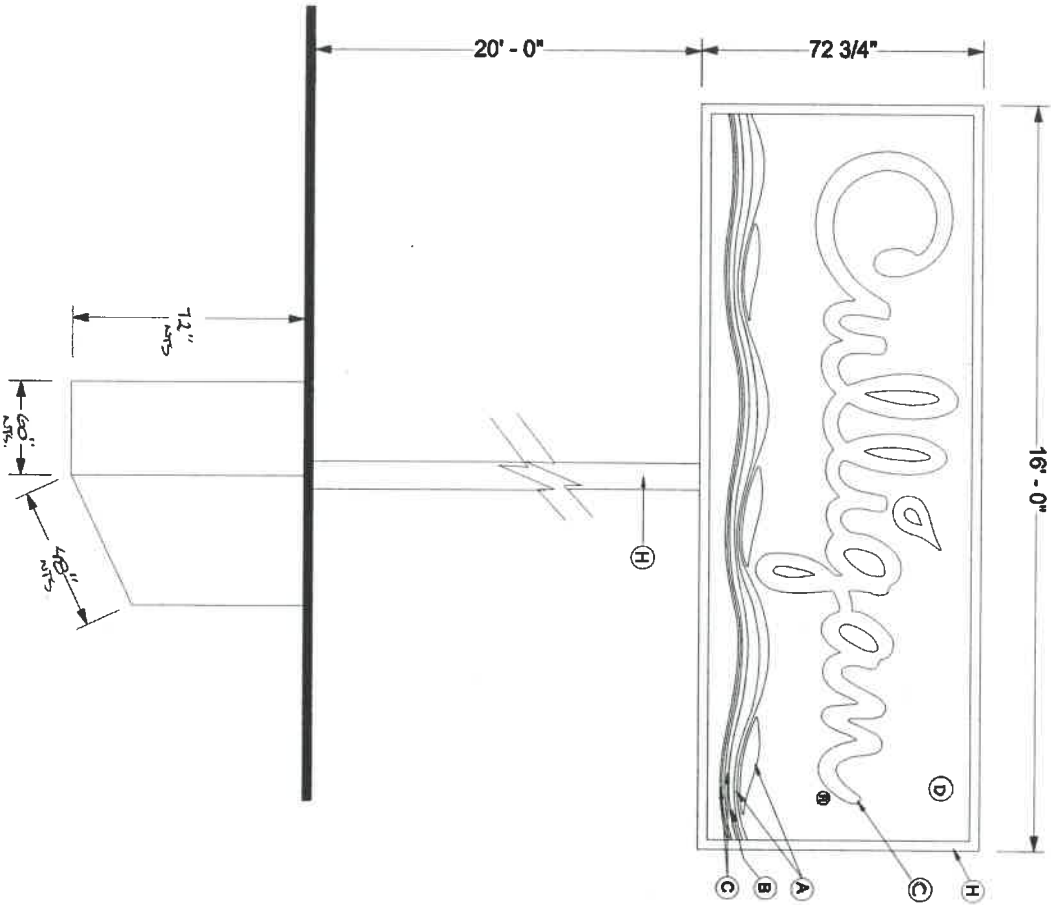
Additional Information: Sign Type - Post Wall _____ Ground _____ Awning _____

Dimensions: 6' x 16' x 2 sides Total S.F. ~~96~~ 192

Date: 10/21/96 Applicant Signature: [Signature]

Application must include a site drawing or a description of the location of the sign (where applicable) and a sketch of the proposed sign(s).

The permit fee is as follows: \$25.00 base which includes up to 50 square feet of sign area, plus .10 per square foot after 50 square feet, not to exceed \$100.00 in any case.



CABINET

QTY. 1 S/F D/F NON. ILL. ILL. RADIUS CORNER
 72 3/4" H. 16'-0" W. 24" D. PAB. EXT. RET. 2 1/2"
 BLEED FACE ROUTERED FACE VOULTS 120 RUL. _____
 PHOTO CELL ELEC. LOC. POLE WALL MT. _____
 CONCEALED MT. MATCH PLATE SLEEVE SADDLE
 RIGID. POLE O.D. ROUNDO SQUARE
 BASE 60" L. 48" W. 7 1/2" D. DIRECT POUR
 DRILLED FOUNDATION DIA. _____ DEPTH _____
 CONDUIT STRUB _____ FORM UP

FACE

QTY. 2 NEW REPLACEMENT * TRIM H _____ W _____
 LEXAN OTHER FLEX 1/8" 3/16" RIBREINFORCED 2 1/2"
 FLAT STD. PAN SPECIAL PAN FLANGE _____
 SMOOTH BKGD. PLANK BKGD. EMBOSSED _____
 CHGR. COPIE _____ LINES OF _____ ZIP/EZ
 OTHER _____
 WAGNER _____

COLORS

FACE COLORS _____ STRUCTURE COLORS _____

A 6023 TURQUOISE BLUE VINYL H PMS 282 BLUE (ANTH)

B 3650-1581 LIME GREEN VINYL

C 3650-39 BLUE VINYL

D WHITE

E _____

F _____

G _____

L _____

M _____

N _____

Harmon SIGN

UNITS SINCE 1987

JOB # _____ DESIGN # _____ SIZE 36" x 1'-0" RF CULLIGAN

BY DATE / LOCATION
 CULLIGAN / NAPOLEON, OH, T. BOSTELMAN / 7-23-86

ISSUED BY DATE 4-17-86

DESIGNER / DATE S. BRADY / 001-323D 8-23-86

THIS DESIGN & SPECIFICATIONS IS SUBJECT TO OUR POLICY & IS TO BEHOLD OUR PROPERTY. COPIES MAY BE ACCEPTED & APPROVED BY PHONE. © COPYRIGHT 1986